



# NATIONAL FIRE EQUIPMENT LTD.

SERVICE, SOLUTIONS, INNOVATION

## MODEL CHVLVG STANDARD SWING CHECK VALVE

### Description

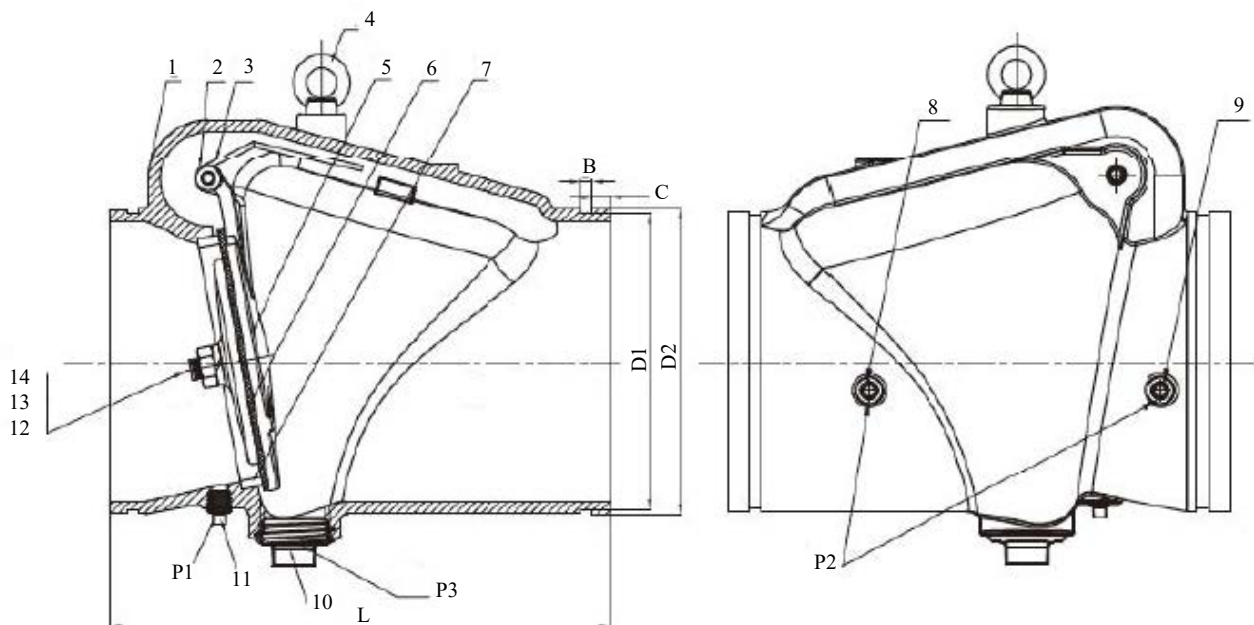
The grooved resilient swing check valve is a one-way check valve. When the medium flows forward, the valve disc opens under the action of fluid pressure. When the medium flows backwards, the valve disc closes under spring elasticity and reverse fluid pressure, which cuts off the passage and prevents backflow.

### Product Features

- The grooved resilient swing check valve is suitable for fire protection systems, the working temperature is from 0°C to 80°C.
- Rated working pressure is 363PSI.
- Can be installed in both vertical (upward flow only) and horizontal positions.
- Grooved end conforming to AWWA C606 for easy installation and maintenance.
- UL312, FM1210
- Non potable.
- Epoxy powder paint.
- Available in 2" to 8" sizes.



### Product Sketch



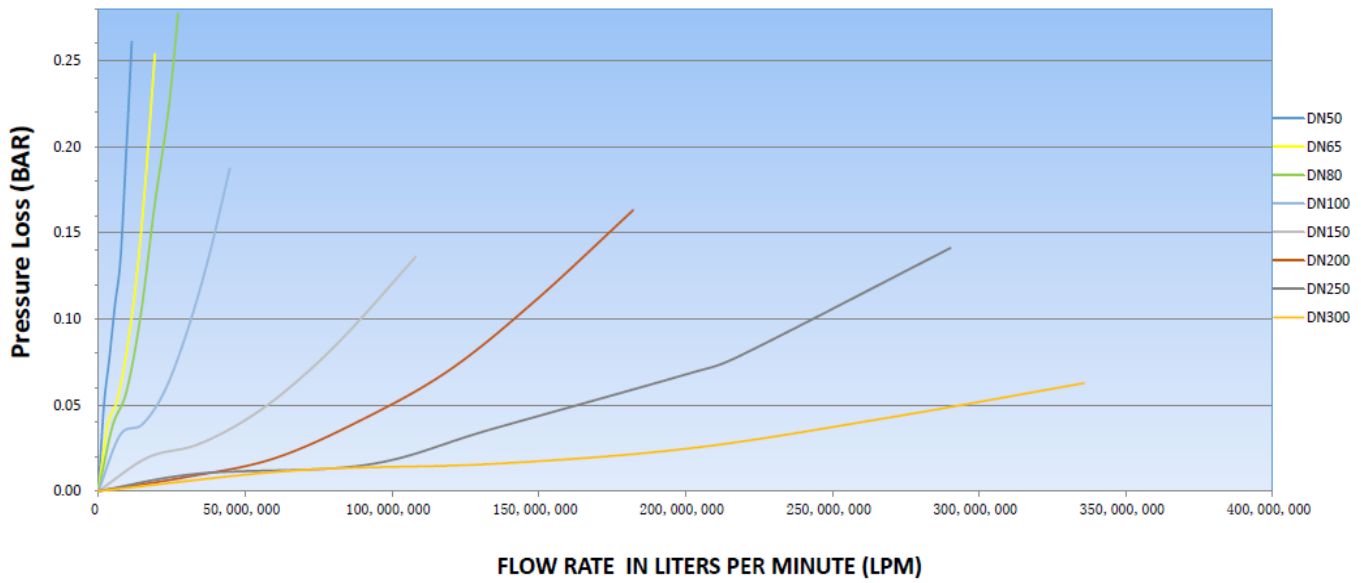
\* UL/ULC certificate number EX16203. FM approval identification number 3051638.

Part No.	Part	Standard Specification
1	Valve Body	ASTM A536,65-45-12
2	Hinge Pin	AISI420
3	Spring	AISI 304
4	Eye Bolt	Carbon Steel Zinc Plated
5	Disc	DN50-100 AISI 304 DN150-300 ASTM A536,65-45-12
6	Disc Sealing Ring	EPDM
7	Seat Ring	ASTM B62 C83600 (Pressed Fit)
8	Plug	Malleable Iron Galvanized
9	Plug	Malleable Iron Galvanized
10	Plug	Malleable Iron Galvanized
11	Plug	Malleable Iron Galvanized
12	Bolt	AISI304
13	Washer	AISI304
14	Nut	AISI304

## Dimensions

DN	Dimensions(inch)							
	L	D1	D2	B	C	P1	P3	P2
2"	6.7323	2.2500	2.3740	0.3122	0.6252	1/2-14	1/2-14	3/8-18
2 1/2"	7.2441	2.7201	2.8740	0.3122	0.6252	1/2-14	1/2-14	3/8-18
3OD"	7.2441	2.8449	2.9961	0.3122	0.6252	1/2-14	1/2-14	3/8-18
3"	7.7559	3.3441	3.5000	0.3122	0.6252	1/2-14	1/2-14	3/8-18
4"	8.1102	4.3339	4.5000	0.3752	0.6252	1/2-14	1/2-14	1/2-14
5 1/2OD"	9.7638	5.3339	5.5000	0.3752	0.6252	1/2-14	1/2-14	1/2-14
5"	9.7638	5.3949	5.5630	0.3752	0.6252	1/2-14	1/2-14	1/2-14
6 1/2OD	12.7559	6.3346	6.5000	0.3752	0.6252	1/2-14	1/2-14	1/2-14
6"	12.7559	6.4551	6.6260	0.3752	0.6252	1/2-14	1/2-14	1/2-14
8"	14.6063	8.4409	8.6260	0.4382	0.7500	1/2-14	1/2-14	1/2-14
10"	17.9921	10.5622	10.7480	0.5000	0.7500	1/2-14	1/2-14	1/2-14
12"	21.0630	12.5311	12.7520	0.5000	0.7500	1/2-14	1/2-14	1/2-14

### FRICTION LOSS - CHECK VALVE



Part Number	Description
CHVLVG200	CHECK VLV GRV 2" 363PSI
CHVLVG250	CHECK VLV GRV 2.5" 363PSI
CHVLVG300	CHECK VLV GRV 3" 363PSI
CHVLVG400	CHECK VLV GRV 4" 363PSI
CHVLVG600	CHECK VLV GRV 6" 363PSI
CHVLVG800	CHECK VLV GRV 8" 363PSI