



# NATIONAL FIRE EQUIPMENT LTD.

SERVICE, SOLUTIONS, INNOVATION

## VALVE & EXTINGUISHER CABINET

### 14" X 31" X 8" 5LB EXTINGUISHER + VALVE CABINET

#### STANDARD CONSTRUCTION FEATURES:

- 1/2" Turnback on trim (recessed)
- Full glass front with paddle latch
- Full length piano hinge
- Grey or white powdered coated finish
- Accommodates 5lb dry chemical extinguisher & 1.5" or 2.5" valve

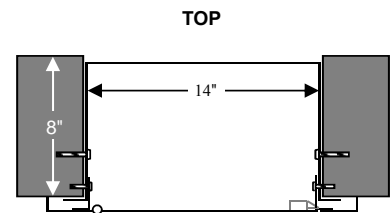
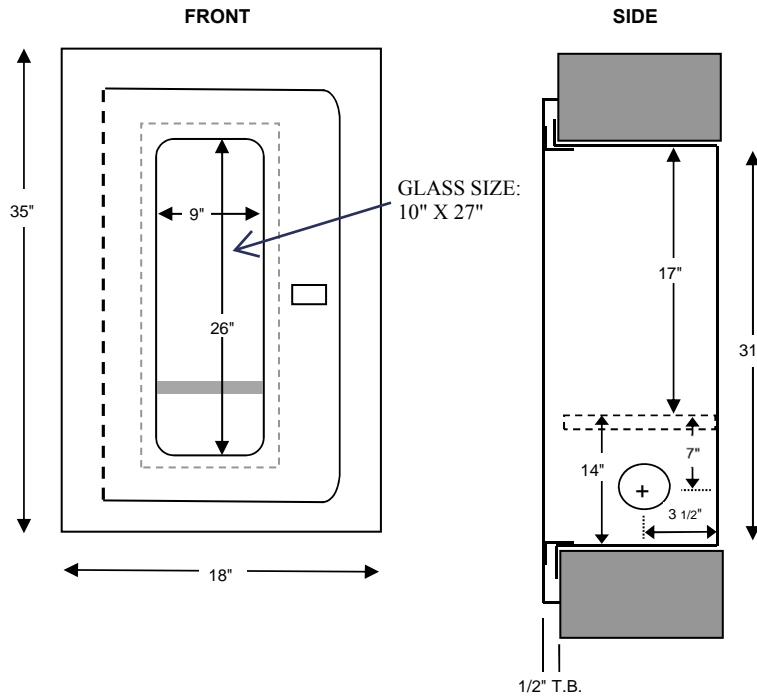
#### OPTIONAL FEATURES:

- Break glass door and lock
- Cylinder lock
- Stainless steel door & trim (#4 finish, SOSS hinge & 3/4" turnback)
- Full metal front
- Neoprene weatherproof gasketing

#### RECESSED

Model: C-975-5

Part #: VECR-14318FGC-WI



#### SURFACE

Model: C-975-5-S

Part #: VECS-14318FGC-WI

