

**SPECIFICATIONS**

Fire Pro® monitors are designed to meet all requirements of municipal and petrochemical applications. The balanced flow single waterway design and precision machining on swivel joints reduces friction loss while improving stream and distance, and ensures ease of operation at all pressure/flow ranges.

Carbon Steel construction with 304 stainless steel swivels. Standard red polyester powder coating inside and out protect against corrosion. Type 304 stainless steel ball bearings in joints ensure easy movement and reliable operation.

**FEATURES**

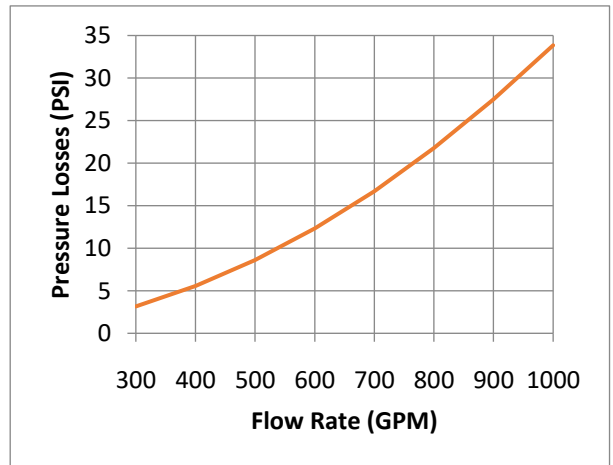
- 2.5" Waterway
- Seamless carbon or stainless steel construction
- Zerk fitting for lubrication
- Low friction loss
- 360° horizontal and 120° vertical travel
- 300-1000 GPM (1136-3785 lpm)

**OPTIONS**

- Drainage Provisions
- Gauge and Guard
- Metric Flanges
- Shut Off Valve



MODEL	INLET In (mm)	OUTLET In (mm)	WEIGHT Lbs (kg)
FP2-750	2.5" FLANGE (64)	2.5 NH (64)	42 (19)
FP2(F/M)-750	2.5" NPT (64)	2.5 NH (64)	35 (16)
FP3-750	3.0" FLANGE (76)	2.5 NH (64)	44 (20)
FP3(F/M)-750	3.0" NPT (76)	2.5 NH (64)	38 (17)
FP4-750	4.0" FLANGE (102)	2.5 NH (64)	48 (22)



**⚠ WARNING: Cancer and Reproductive Harm - [www.P65Warnings.ca.gov](http://www.P65Warnings.ca.gov)**

Call Fire Pro for current listings and approvals. Dimensions are subject to manufacture's tolerance and may change without notice. Fire Pro assumes no responsibility for use of void or superceded data. Please visit [www.firepromonitors.com](http://www.firepromonitors.com) for most current specification.

**FP\_-750**

Revised:8/17/20



FIRE EQUIPMENT  
MANUFACTURERS'  
ASSOCIATION



**FIRE PRO**

Headquarters:  
P.O. Box 3527  
City of Industry, CA  
91744 U.S.A.  
Los Angeles Area  
800-366-3473  
626-855-4890

**MONITORS & NOZZLES**

Also in:  
New York (800) 526-4592  
Chicago (800) 547-3473  
Atlanta (800) 762-0542  
Miami (866) 961-3473  
Dallas (866) 644-3473

[www.firepromonitors.com](http://www.firepromonitors.com)

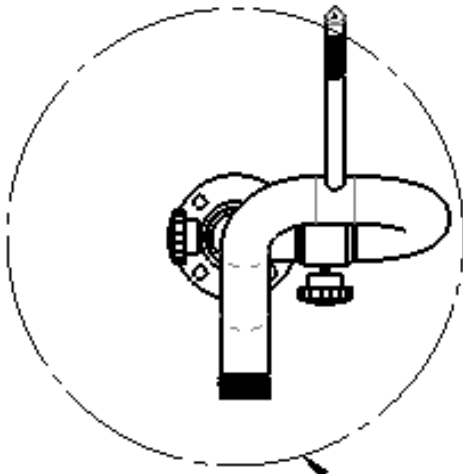


FIRE MONITORS & NOZZLES  
Member of Morris Group International™

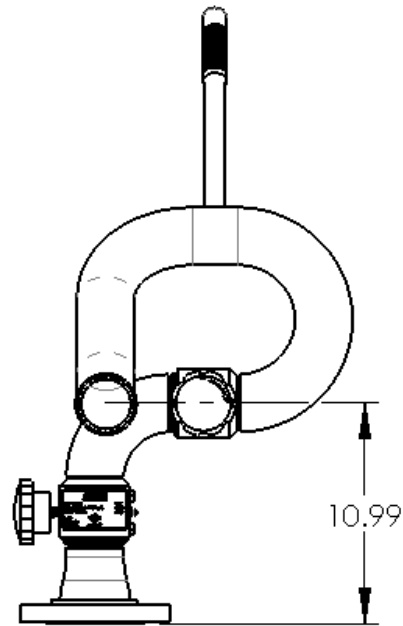
# 2.5" STATION MONITOR

## 300-1000 GPM

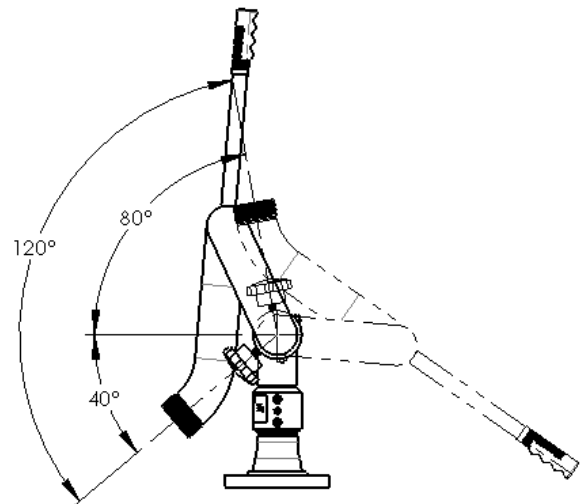
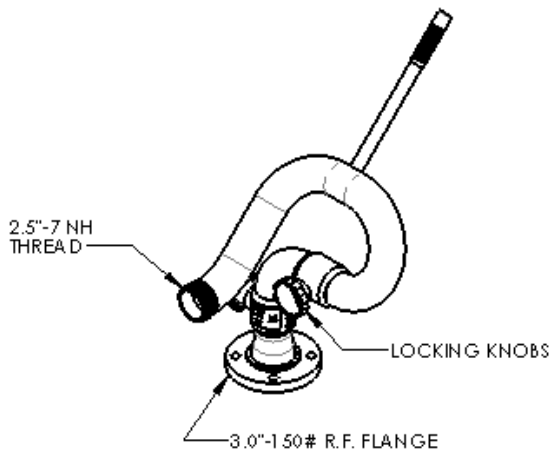
## FP\_-750



FULL 360° ROTATION



10.99



**⚠ WARNING:** Cancer and Reproductive Harm - [www.P65Warnings.ca.gov](http://www.P65Warnings.ca.gov)

Call Fire Pro for current listings and approvals. Dimensions are subject to manufacture's tolerance and may change without notice. Fire Pro assumes no responsibility for use of void or superceded data. Please visit [www.firepromonitors.com](http://www.firepromonitors.com) for most current specification.

### FP\_-750

Revised:8/17/20



FIRE EQUIPMENT  
MANUFACTURERS'  
ASSOCIATION



### FIRE PRO

Headquarters:  
P.O. Box 3527  
City of Industry, CA  
91744 U.S.A.  
Los Angeles Area  
800-366-3473  
626-855-4890

### MONITORS & NOZZLES

Also in:  
New York (800) 526-4592  
Chicago (800) 547-3473  
Atlanta (800) 762-0542  
Miami (866) 961-3473  
Dallas (866) 644-3473

[www.firepromonitors.com](http://www.firepromonitors.com)