

SPECIFICATIONS

Fire Pro® monitors are designed to meet all requirements of municipal and petrochemical applications. The balanced flow single waterway design and precision machining on swivel joints reduces friction loss while improving stream and distance, and ensures ease of operation at all pressure/flow ranges.

Carbon Steel construction with 304 stainless steel swivels. Standard red polyester powder coating inside and out protect against corrosion. Type 304 stainless steel ball bearings in joints ensure easy movement and reliable operation.



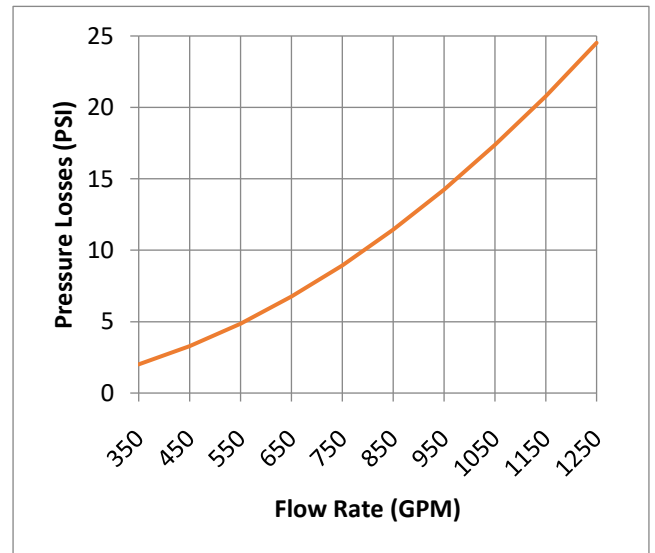
FEATURES

- 3.0" Waterway
- Seamless carbon or stainless steel construction
- Zerk fitting for lubrication
- Low friction loss
- 360° horizontal and 120° vertical travel
- 350-1250 GPM (1325-4732 lpm)

MODEL	INLET In (mm)	OUTLET In (mm)	WEIGHT Lbs (kg)
FP3-1200	3.0" FLANGE (76)	2.5 NH (64)	52 (24)
FP3(F/M)-1200	3.0" NPT (76)	2.5 NH (64)	52 (24)
FP4-1200	3.0" FLANGE (76)	2.5 NH (64)	52 (24)

OPTIONS

- Drainage Provisions
- Gauge and Guard
- Metric Flanges
- Shut Off Valve



⚠ WARNING: Cancer and Reproductive Harm - www.P65Warnings.ca.gov

Call Fire Pro for current listings and approvals. Dimensions are subject to manufacture's tolerance and may change without notice. Fire Pro assumes no responsibility for use of void or superceded data. Please visit www.firepromonitors.com for most current specification.

FP_-1200

Revised:10/17/19



FIRE EQUIPMENT
MANUFACTURERS'
ASSOCIATION



FIRE PRO

Headquarters:
P.O. Box 3527
City of Industry, CA
91744 U.S.A.
Los Angeles Area
800-366-3473
626-855-4890

MONITORS & NOZZLES

Also in:
New York (800) 526-4592
Chicago (800) 547-3473
Atlanta (800) 762-0542
Miami (866) 961-3473
Dallas (866) 644-3473

www.firepromonitors.com

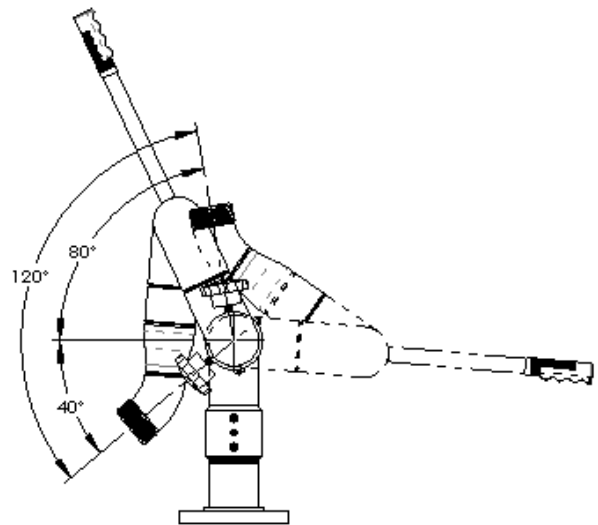
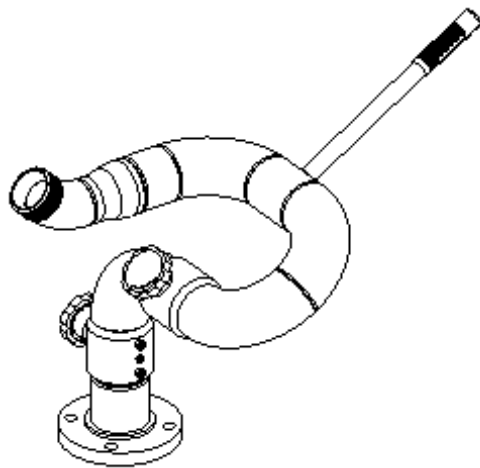
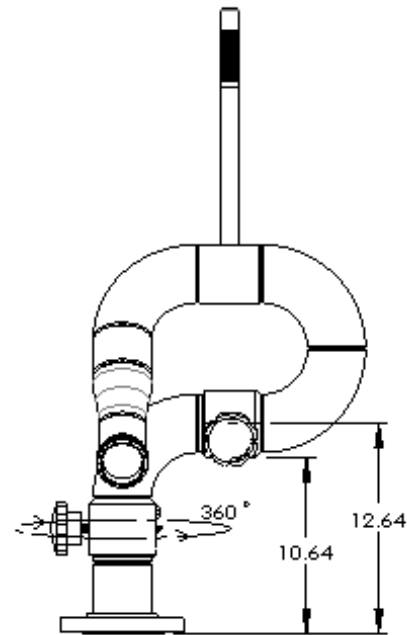
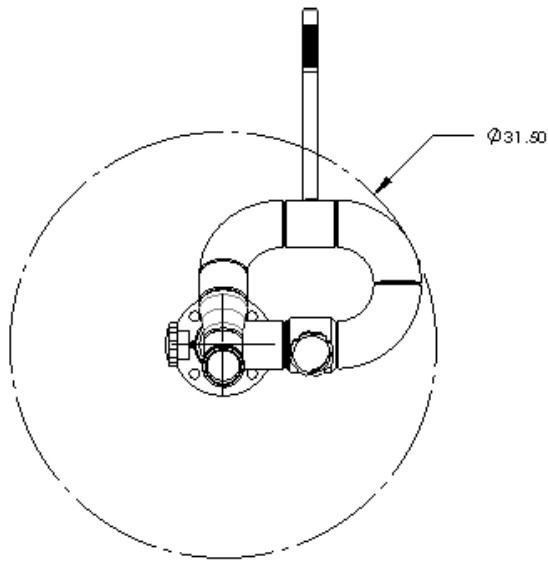


FIRE MONITORS & NOZZLES
Member of Morris Group International™

3.0" STATION MONITOR

350-1250 GPM

FP_-1200



⚠ WARNING: Cancer and Reproductive Harm - www.P65Warnings.ca.gov

Call Fire Pro for current listings and approvals. Dimensions are subject to manufacture's tolerance and may change without notice. Fire Pro assumes no responsibility for use of void or superceded data. Please visit www.firepromonitors.com for most current specification.

FP_-1200

Revised:10/17/19



FIRE EQUIPMENT
MANUFACTURERS'
ASSOCIATION



FIRE PRO

Headquarters:
P.O. Box 3527
City of Industry, CA
91744 U.S.A.
Los Angeles Area
800-366-3473
626-855-4890

MONITORS & NOZZLES

Also in:
New York (800) 526-4592
Chicago (800) 547-3473
Atlanta (800) 762-0542
Miami (866) 961-3473
Dallas (866) 644-3473

www.firepromonitors.com