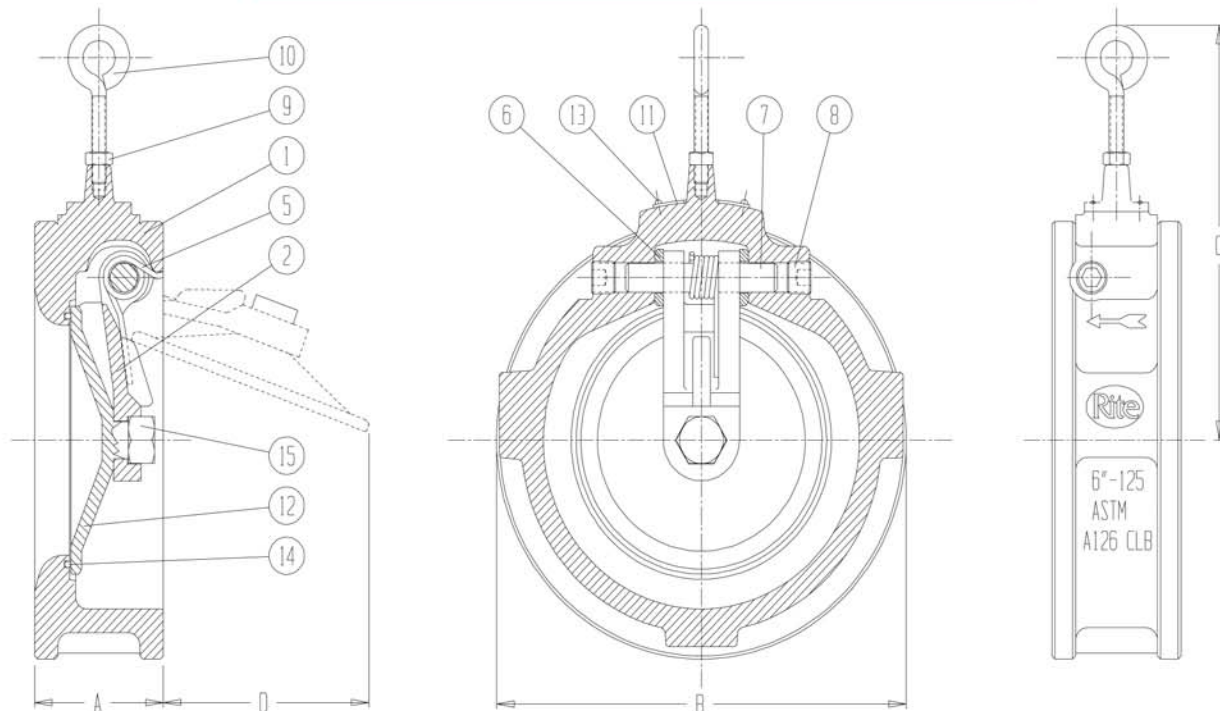




National Fire Equipment Ltd.

Check Rite Wafer Type Swing Check Valve ANSI Series 125 Model 212



ANSI Series 125 Rated at 250 PSI. Cold Working Pressure.

Item	Description	Material
1	Body	ASTM A126 CLB
2	Hinge	ASTM A351 CF8M
5	Spring	ASTM A313-316
6	Spacer	Teflon
7	Pin	ASTM A479-316
8	Plug	Steel
9	Lock Nut	Steel Zinc Plated
10	Eye Bolt	Steel Zinc Plated
11	Name Plate	Aluminium
12	Disc	ASTM A351-CF8M
13	Rivet	Steel Cad. Plated
14	O-Ring	Buna N
15	Disc Nut	Stainless Steel

Listed by Underwriters Laboratories of Canada for use:	
1. Foam Extinguishing Systems	NFPA No. 11
2. Installation of Sprinkler Systems	NFPA No. 13
3. Standpipe and Hose Systems	NFPA No. 14
4. Water Spray Systems for Fire Protection	NFPA No. 15
5. Installation of Centrifugal Pumps	NFPA No. 20
6. Water Tanks for Private Fire Protection	NFPA No. 22
7. Outside Protection	NFPA No. 24

Factory Mutual System Approved for Use:	
Discharge Lines Fire Pumps	
Fire Protection Systems	
Factory Mutual System Listed Under:	
Check Valves: Antiwater-hammer	
Single Check Valves	

Serial No.: P.I. 3022228
Class 1210

File: EX5415
UL/ULC Listed and FM Approved under Check-Rite

Nominal Pipe Size		A		B		C		D		Weight	
Inch	mm	Inch	mm	Inch	mm	Inch	mm	Inch	mm	lbs	kg
2	50	2.13	54.0	4.13	104.8	4.63	117.5	1.00	25.4	4.7	2.15
2 1/2	65	2.38	60.3	4.88	123.8	5.00	127.0	1.38	34.9	7.0	3.15
3	80	2.63	66.7	5.38	136.5	5.44	138.1	1.63	41.2	9.0	4.10
4	100	2.25	57.1	6.88	174.6	6.25	158.7	2.75	69.8	12.6	5.75
5	125	2.50	63.5	7.75	196.8	6.75	171.4	3.63	92.0	15.4	7.0
6	150	2.75	69.8	8.75	222.2	7.50	190.5	4.50	114.3	21.1	9.6
8	200	2.88	73.0	11.00	279.4	8.75	222.2	5.75	146.0	32.6	14.85
10	250	3.13	79.4	13.38	339.7	10.00	254.0	7.50	190.5	46.2	21.0
12	300	3.38	85.7	16.13	409.6	11.25	285.7	8.75	222.2	72.6	33.0



National Fire
Equipment Ltd.

TORONTO: (905) 761-6355
Toll Free: (800) 267-8508
OTTAWA: (613) 723-6071

VANCOUVER: (604) 420-1131
Toll Free: (800)-667-2138
BURNABY: (604)-299-4498

EDMONTON: (780) 455-3870
Toll Free: (888)-891-1008
CALGARY: (403) 236-5661

MONCTON: (506) 859-7277
Toll Free: (877) 816-3473
MISSISSAUGA: (905) 565-1385

www.nationalfire.com