

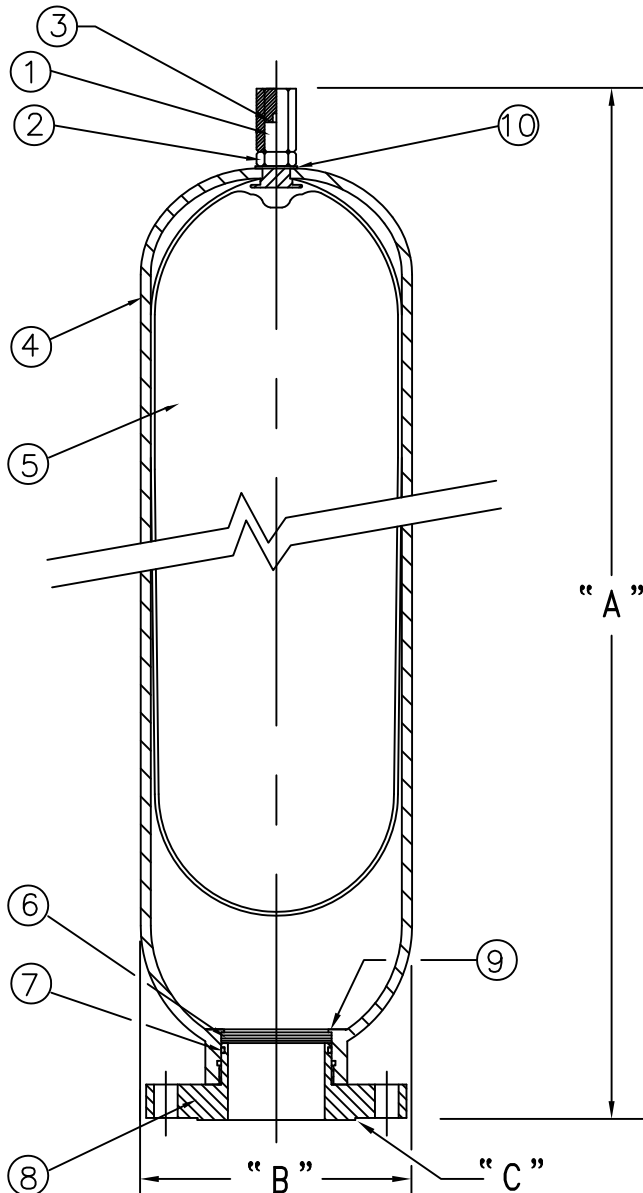
DATA SHEET BSA-03S

BOTTOM REPAIRABLE SURGE SUPPRESSOR

275 psi

Nominal Size (Gallons)	Model Number	"A" OAH. (In.)	"B" Dia. (In.)	"C" Fluid Port Connector	Est. Dry Weight (Lbs.)	Design Pressure (psig.)
2.5	2.5BSA-27S	18.75	8.63	3"-150# ANSI FLANGE	34	275
5.0	5.0BSA-27S	29.25	8.63	3"-150# ANSI FLANGE	44	275
7.5	7.5BSA-27S	43.21	8.63	3"-150# ANSI FLANGE	63	275
10	10BSA-27S	50.63	8.63	3"-150# ANSI FLANGE	73	275

- ALL WETTED PARTS ARE STAINLESS STEEL.
- 275 PSI DESIGN PRESSURE WITH A 3.5X SAFETY FACTOR.
- BLADDER MATERIAL IS AROMATIC RESISTANT BUNA-N; OTHER COMPOUNDS ARE AVAILABLE.
- ASME CODED, SECTION VIII, DIV. 1.



PARTS LIST:

Item	Qty	Description
1	1	VALVE GUARD
2	1	JAM NUT
3*	1	DYNA SEAL
4	1	SHELL
5*	1	BLADDER ASSEMBLY
6	1	SCREEN
7*	1	O-RING
8	1	FLANGE
9	1	RETAINING RING
10	1	FLAT WASHER

*Recommended replacement parts.