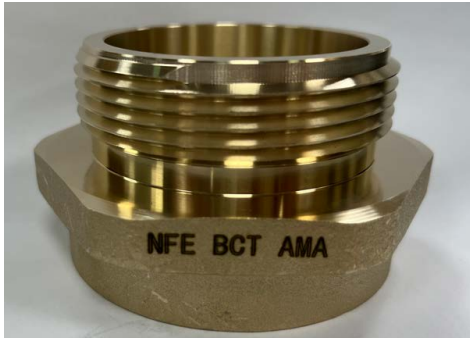




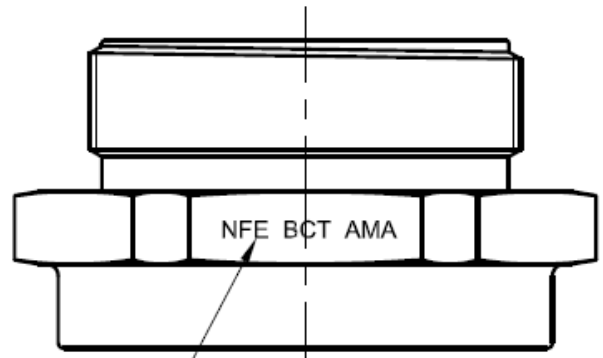
NATIONAL FIRE EQUIPMENT LTD.
SERVICE, SOLUTIONS, INNOVATION

A93BBAMA ADAPTER

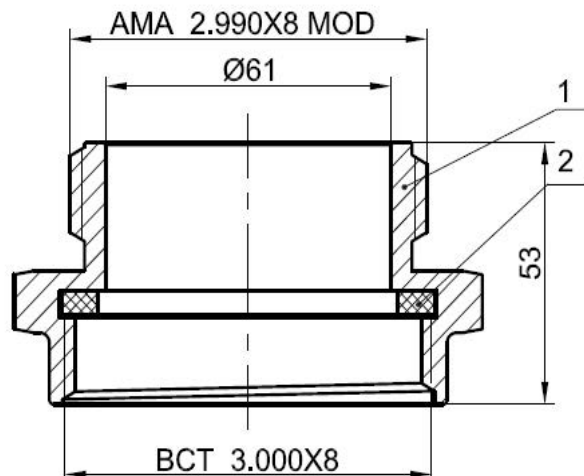


FEMALE TO MALE ADAPTER

Used to adapt or change thread from BCT to AMA
Brass hexagon type adapter
Laser engraving thread identification
Complete with EPDM gasket on female side



Laser engraving
Height:3mm



- 1: Brass guard
- 2: EPDM gasket

AMA 2.990 x 8
BCT 3.000 x 8

Weight 764g